



Patch Panel

Advanced 1U - Empty - Black RAL 9005

36 Ports max.

[Modular plates, adapters or cassettes not included]

LightMax[®] 36-1U Optical Distribution Patch Panel offers great versatility for the administration of optical links. It has rear ports to house cable and coiling brackets of fibers and splices. It has high quality design, and high mechanical resistance. Its sliding lateral holders allow the patch panel installation in 19" racks. Its dimensions are compatible with different models of telecommunications cabinets.

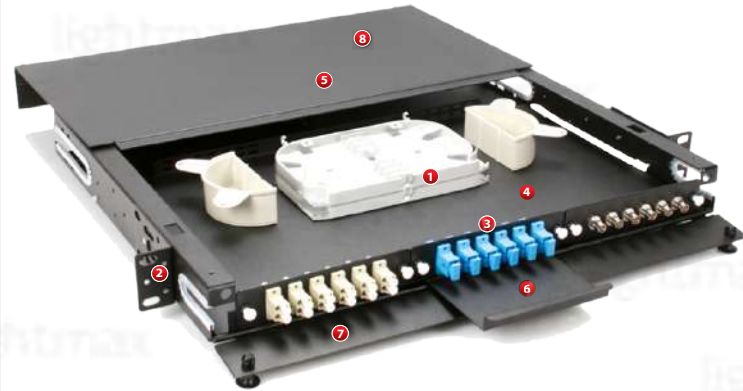
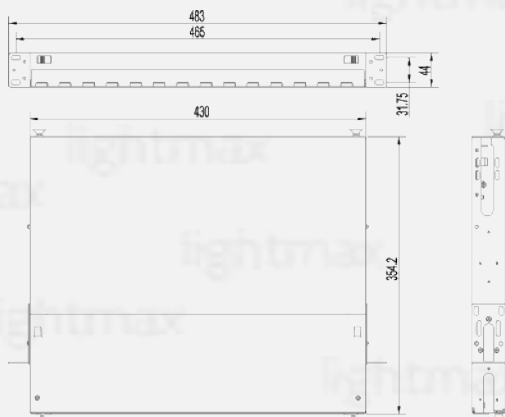
Features:

- Adjustable side supports for installation in 19" telecommunications cabinets racks.
- Capacity for 3 modular plates.
- Rear and front protection.
- Rear entrances for cables.
- Sliding tray for easy opening.
- Maximum capacity for 36 fibres.
- Made cold rolled steel.
- RAL 9005 black powder coated.
- EIA-310-D compliant.

Product details:

- 1 Capacity for 2 splice trays.
- 2 Brackets for 19" and 23" racks mounting.
- 3 Holes for 3 adaptor's modular plates.
- 4 Made of cold rolled steel.
- 5 Black electrostatic powder coating.
- 6 Sliding tray.
- 7 Protection on both rear and front parts.
- 8 Hinged covers.
- 9 Front and rear side access for cable entry.

Structural Drawing



[Pictures for reference purposes only]



SPECIFICATIONS

Material	Cold rolled steel		
Finishing	RAL 9005 Black powder coated		
Dimensions (mm)	483 (L)		
	354 (W)		
	44 (H)		
Weight (kg)	5.5		
Adapter's plates	3		
Max. of Ports	36		
Adapters per Plate	Type	Amount	Qty. Ports
	SC sx	6 or 8	6 or 8
	SC dx	6	12
	LC dx	6 or 8	12 or 16
	E2000	8	8
	FC	8 or 12	8 or 12
ST	8 or 12	8 or 12	
Standards	EIA-310-D		
	RoHS		

Part Number

36-1U

Rel. 3-EN/APR22

www.lightmax.com